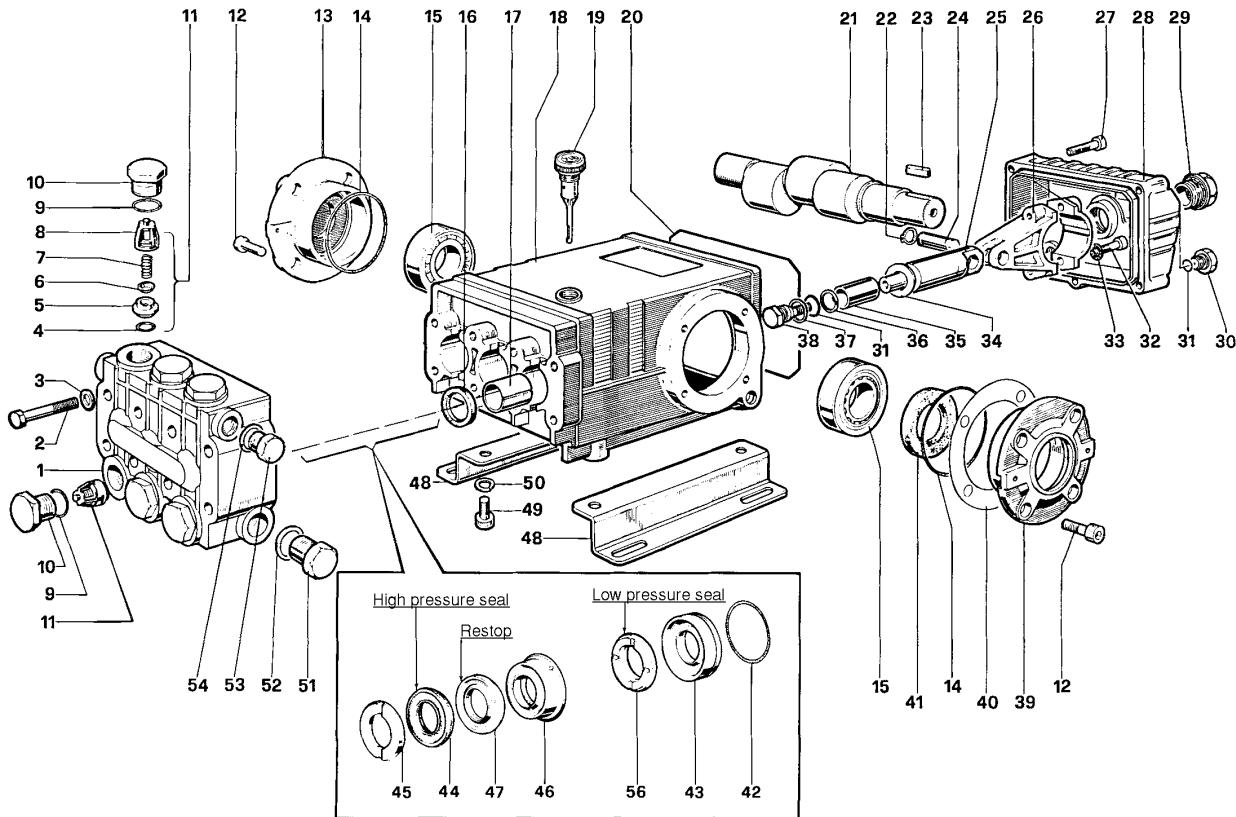


# T Series 47 S – 20 mm x 12 mm

# GENERAL PUMP

A member of the Interpump Group



## PARTS LIST

ITEM PART NO.	DESCRIPTION	KIT NO.	QTY.	ITEM PART NO.	DESCRIPTION	KIT NO.	QTY.	ITEM PART NO.	DESCRIPTION	KIT NO.	QTY.
1. 47120841	Manifold		1	19. 98210600	Oil Dip Stick		1	37. 96728000	Washer	6	3
47120941	Manifold, Nickel-Plated (TS2011-N)			20. 90392200	O-Ring, Cover		1	38. 47219566	Screw, Plunger	6	3
2. 99320600	Screw, M8 x 70		8	21. 47021835	Crankshaft		1	39. 47150022	Cover, Crankcase		1
3. 96702000	Washer, M8.4		8	22. 90055700	Ring, Snap		6	40. 97567800	Shim		2
4. 90384100	O-Ring, .674 x .103	1	6	23. 91489000	Key		1	41. 90164800	Seal, Oil	3	1
5. 36200366	Seat, Valve	1	6	24. 97738000	Pin, Wrist		3	42. 90361600	O-Ring, 1.364 x .070	10, 28	3
6. 36200176	Plate, Valve	1	6	25. 47050554	Guide, Plunger		3	43. 47080570	Retainer, Packing	10, 28	3
7. 94737600	Spring	1	6	26. 47030001	Rod, Connecting		3	44. 90270500	Packing	28, 69	3
8. 36200251	Guide, Valve	1	6	27. 99191200	Screw, M6 x 30		5	45. 47100051	Ring, Head, M20	7, 28	3
9. 90384700	O-Ring, .797 x .103	4, 5	6	99183700	Screw, M6 x 14 (TS1011)		5	46. 47216970	Intermed. Ring	28, 71	3
10. 98222000	Cap	4	6	28. 47160122	Cover, Crankcase		1	47. 90270400	Restop Ring	28, 69, 71	3
98222200	Cap, Ni-Plated (TS2011-N)	5		47160022	Cover, Crankcase (TS1011)			48. 47200074	Pump Feet		2
11. 36703201	Valve Assembly	1	6	29. 97596800	Oil Indicator		1	49. 99364400	Screw, M10 x 18		4
12. 99303900	Screw, M8 x 16		8	30. 98204100	Cap		1	50. 96710600	Washer, M10.2		4
13. 47150122	Cover, Crankcase		1	31. 90358500	O-Ring, .426 x .070	6	4	51. 98217600	Cap		1
14. 90391300	O-Ring, 2.675 x .103		2	32. 99309900	Screw, M8 x 35		6	52. 96751400	Washer, M21.5		1
15. 640047	Bearing, Roller		2	33. 96701400	Washer, M8.4		6	53. 98210000	Cap		1
16. 90162500	Seal, Oil	2	3	34. 96728600	Washer, M14	6	3	54. 96738000	Washer, M17.5		1
17. 90912600	Bushing		3	35. 47040409	Plunger, (20 mm)		3	56. 90271000	Seal, Low Press., 20mm	28, 69	3
18. 47010522	Crankcase		1	36. 90506700	Ring, Back-up	6	3				

## REPAIR KITS

KIT NO.	1	2	3	4	5	6	7	10	28	69	71
ITEM NO.s INCLUDED IN KIT	4, 5 6, 7, 8 (11)	16	41	9, 10	9, 10	31, 34, 36, 37, 38	45	42, 43	42, 43, 44, 45, 46, 47, 56	44, 47, 56	46, 47
NUMBER OF ASSEMBLIES IN KIT	6	3	2	6	6	3	6	3	1	3	3
NUMBER OF CYLINDERS KIT WILL SERVICE	3	3	-	3	3	3	3	3	1	3	3

## TORQUE SPECS\*

Position	Ft.-lbs.
2	22.1
10	73.7
12	14.7
27	7.3
29	13.2
30	14.7
32	14.7
38	14.7
49	29.4
51	29.4
53	29.4